

# AIM-68

## 10.1" Industrial Tablet with Intel® Atom™ Processor



### Features

- Intel® Atom™ processor for Windows 10 IoT and AIM Android 6.0
- The hot-swappable battery with capacity meter that shows the remaining power and recharge status minimizes system interruptions for reliable long-duration operation
- Integrated barcode scanner supports data collection
- 10" WUXGA full HD display with scratch-resistant Corning® Gorilla® Glass 3 and multi-touch PCAP control
- WLAN, BT, NFC, 3G/4G LTE technology for seamless communications
- Optional extension include 1D/2D barcode scanner, LAN+COM module, UHF RFID module

### Introduction

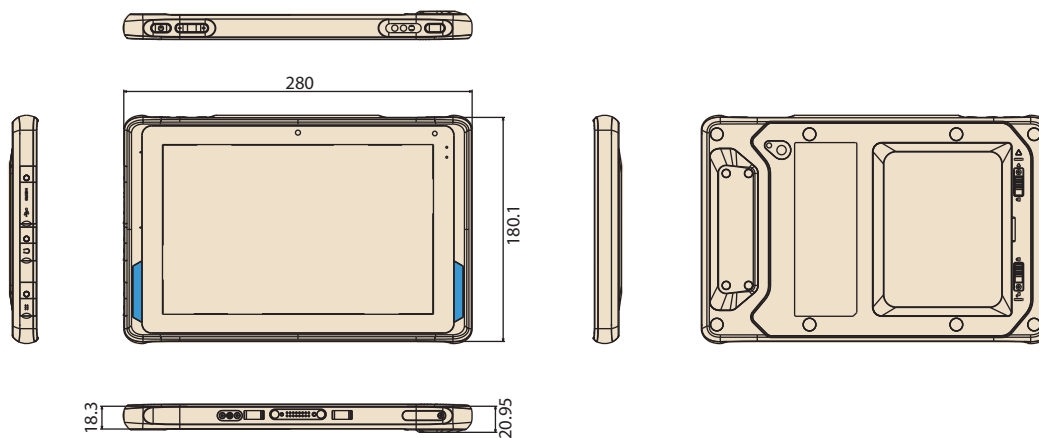
AIM-68 is an industrial-grade tablet with hot-swappable battery to facilitate diverse vertical applications. Equipped with IP65-rated protection from water and dust ingress, AIM-68 is suitable for indoor and outdoor installation. In addition to Wi-Fi/LTE capabilities that enable mobile computing, AIM-68 can be integrated with built in barcode and additional optional peripherals including a 1D/2D barcode scanner, LAN+COM, and UHF RFID. This makes AIM-68 ideal for a wide range of operations in the manufacturing, warehouse, retail, and field service industries.

### Specifications

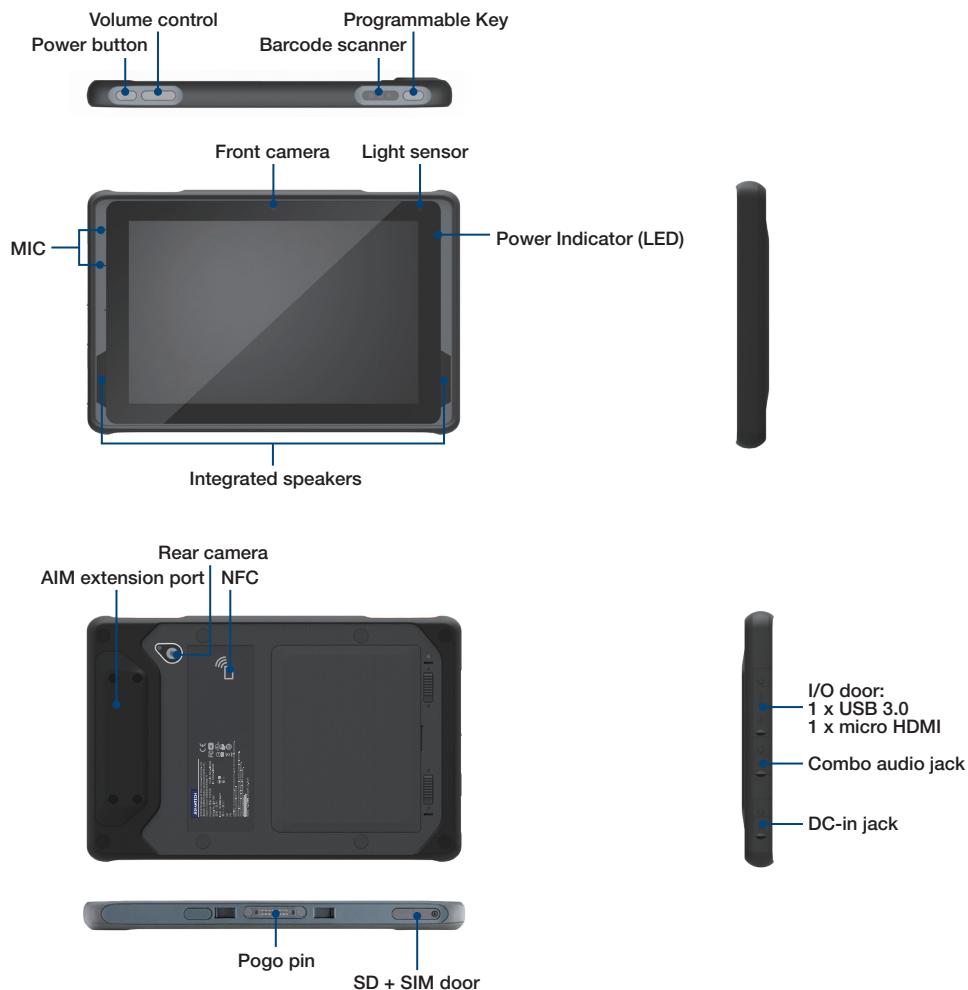
System	Processor	Intel® Atom™ x7-Z8750 quad-core, 1.6 GHz (2M cache, up to 2.56 GHz)
	Memory	4 GB LPDDR3
	OS	Windows 10 IoT Enterprise, Android 6.0
Storage	eMMC	64 GB
	Micro-SD	Support (up to 128GB)
Display	Type	10.1" FHD LCD
	Resolution	WUXGA 1920 x 1200
	Brightness	380 cd/m <sup>2</sup> (optional 800 cd/m <sup>2</sup> )
	Touch Type	10-point multi-touch P-CAP touch control
	Glass Type	Corning® Gorilla® Glass 3
	WLAN	IEEE 802.11 a/b/g/n/ac
Communication	Bluetooth	Bluetooth® v4.1
	WWAN (Optional)	4G LTE multi-device broadband
	NFC	13.56 MHz, compatible with ISO15693, ISO14443A, ISO 14443B, FeliCa
Connectivity	Standard I/O	1 x Micro HDMI, 1 x USB 3.0, 1 x combo audio jack, 1 x 19 VDC-in jack, 1 x SIM card reader, 1 x micro SD card reader
	Extended I/O	1 x AIM extension 14-pin pogo connector: 1 x USB 2.0, 1 x 2-wire UART, 5V/1A power
	Docking	1 x AIM docking 16-pin pogo connector: 1 x USB 3.0, 12V power
	Speaker	2 x Internal speakers (2 W)
Audio	Audio Jack	1 x Audio combo jack (combines stereo audio output and mono microphone input)
Camera	Front	2.0-megapixel fixed-focus camera
	Rear	5.0-megapixel auto-focus camera with LED flash
Sensors		Ambient Light Sensor, e-Compass, G-sensor, Gyroscope
Barcode Scanner(Optional)		Integrated 1D/2D barcode scanner
Control Buttons		1 x Power button, 2 x volume keys (up/down), 1 x programmable function key
System Indicator		Full: green (100%); Charging: blue; Low: red (≤10%)
Power System	Input Voltage	DC jack: 19V/3.42A Docking pogo: 12V/2A
	Battery	Hot-swappable battery with capacity LED indicators; 10.8V, 2400 mAh, 26 WHr Operating time: 4-6 hr (depending on usage scenario*) Charging time: < 3 hr
Environment	Operating Temperature	-10 ~ 50 °C (14 ~ 122 °F)
	Storage Temperature	-20 ~ 60 °C (-4 ~ 140°F)
	IP Rating	IP65
	Shock	IEC60068-2-27
	Vibration	IEC60068-2-64
	Humidity	Operating: 10 ~ 90% @ 40 °C non-condensing Storage: -10 ~ 95% non-condensing
Physical Characteristics	Drop Tested	Up to 120 cm (4 ft) onto plywood over concrete
	Dimension (W x D x H)	280 x 18.3 x 180.1 mm (11 x 0.7 x 7.1 in)
	Weight	980 g (2.2 lb)
Certifications	Color	Dark Grey
		FCC, CE, CB, UL, TELEC, VCCI, BSMI, NCC, CCC, SRRC, RCM, IC, KC

## Dimensions

Unit: mm



## System I/O



## Ordering Information

Part Number	Description	Memory	Storage	LCD	Barcode	NFC	Wi-Fi/BT	LTE+GPS	F-Camera	R-Camera	OS
AIM-68CT-C2101000	10I/4G/64G/WIN10/AC/G/	4 GB	64 GB	380 nits	X	V	V	X	2M	5M	Win 10 IoT Enterprise
AIM-68CT-C21B1000	10I/4G/64G/WIN10/AC/BCR/G/	4 GB	64 GB	380 nits	V	V	V	X	2M	5M	Win 10 IoT Enterprise
AIM-68CT-C2103000	10I/4G/64G/WIN10/AC/NA/GPS/G/	4 GB	64 GB	380 nits	X	V	V	V (NA)	2M	5M	Win 10 IoT Enterprise
AIM-68CT-C2105000	10I/4G/64G/WIN10/AC/EU/GPS/G/	4 GB	64 GB	380 nits	X	V	V	V (EU)	2M	5M	Win 10 IoT Enterprise
AIM-68CT-C2104000	10I/4G/64G/WIN10/AC/NA/GPS/HB/G/	4 GB	64 GB	800 nits	X	V	V	V (NA)	2M	5M	Win 10 IoT Enterprise
AIM-68CT-C2106000	10I/4G/64G/WIN10/AC/EU/GPS/HB/G/	4 GB	64 GB	800 nits	X	V	V	V (EU)	2M	5M	Win 10 IoT Enterprise
AIM-68CT-C2108000	10I/4G/64G/WIN10/AC/APAC/GPS/HB/G/	4 GB	64 GB	800 nits	X	V	V	V (APAC)	2M	5M	Win 10 IoT Enterprise
AIM-68CT-C3101000	10I/4G/64G/A6.0/AC/G/	4 GB	64 GB	380 nits	X	V	V	X	2M	5M	Android 6.0
AIM-68CT-C31B1000	10I/4G/64G/A6.0/AC/BCR/G/	4 GB	64 GB	380 nits	V	V	V	X	2M	5M	Android 6.0
AIM-68CT-C3103000	10I/4G/64G/A6.0/AC/NA/GPS/G/	4 GB	64 GB	380 nits	X	V	V	V (NA)	2M	5M	Android 6.0
AIM-68CT-C3105000	10I/4G/64G/A6.0/AC/EU/GPS/G/	4 GB	64 GB	380 nits	X	V	V	V (EU)	2M	5M	Android 6.0
AIM-68CT-C3104000	10I/4G/64G/A6.0/AC/NA/GPS/HB/G/	4 GB	64 GB	800 nits	X	V	V	V (NA)	2M	5M	Android 6.0
AIM-68CT-C3106000	10I/4G/64G/A6.0/AC/EU/GPS/HB/G/	4 GB	64 GB	800 nits	X	V	V	V (EU)	2M	5M	Android 6.0
AIM-68CT-C3108000	10I/4G/64G/A6.0/AC/APAC/GPS/HB/G/	4 GB	64 GB	800 nits	X	V	V	V (APAC)	2M	5M	Android 6.0
AIM-68CT-C3101TBA	10I/4G/64G/A6.0_U/AC/G/	4 GB	64 GB	380 nits	X	V	V	X	2M	5M	Android 6.0 For SOTI
AIM-68CT-C31B1TBA	10I/4G/64G/A6.0_U/AC/BCR/G/	4 GB	64 GB	380 nits	V	V	V	X	2M	5M	Android 6.0 For SOTI
AIM-68CT-C3104TBA	10I/4G/64G/A6.0_U/AC/NA/GPS/HB/G/	4 GB	64 GB	800 nits	X	V	V	V (NA)	2M	5M	Android 6.0 For SOTI
AIM-68CT-C3106TBA	10I/4G/64G/A6.0_U/AC/EU/GPS/HB/G/	4 GB	64 GB	800 nits	X	V	V	V (EU)	2M	5M	Android 6.0 For SOTI
AIM-68CT-C3108TBA	10I/4G/64G/A6.0_U/AC/APAC/GPS/HB/G/	4 GB	64 GB	800 nits	X	V	V	V (APAC)	2M	5M	Android 6.0 For SOTI

## Optional Accessories

Part Number	Description
AIM-ADPO-0424	ADP A/D 100-240V 65W 19V DC IN
1700001947	Power cord (USA) UL 2P 7A 125 V 183 cm
1700001949	Power Cord(UK) BSI 2P 2.5A 250V 183cm
1700029278-01	Power Cord (Japan) PSE 2P 7A 125V 183cm
1700029279-01	Power Cord (NZ/AU) SAA 2P 2.5A 250V 183 cm
1700008972	Power cord (China)CCC 2P 2.5A 250 V 183 cm
1700001948-11	Power cord (EU) EU 2P 2.5A 250 V 183 cm
1700021662-01	Power Cord (TW) BSMI 2P 2.5A 125V 183cm

Note: Adapter and power cord are suitable for AIM-68, vesa and office dock.

## AIM-68 Packing List

Description
1 x AIM-68
1 x AC/DC adaptor
1 x 2-pin power cord (USA)

# AIM-68 Vehicle Docking Station



## Features

- Compatible with 9 ~ 32 V<sub>DC</sub> in-vehicle power supply
- Easy and instant single-handed docking and undocking
- Anti-theft locking mechanism
- External GPS antenna
- Programmable function keys
- High-density connectors
- Compliant with IEC60068-2-64 for vibration and IEC60068-2-27 for shock tolerance
- Safe and reliable design for vehicle applications



## Specifications

		Fully Configured Unit	Charging Dock Only
I/O	High-Density Connector	1 x CAN bus (supports raw CAN, J1939, OBD-II/ISO 15765) with configurable firmware 5 x Digital inputs 1 x Odometer (supports dry and wet contact) with configurable and switchable firmware (default wet contact) 2 x Digital outputs (supports speed pulse) 1 x RS-232 (4 wire) 1 x RS-232/485 (2 wire) (default RS-485, termination enabled) 1 x USB 2.0 1 x Power input 12 V 1 A	1 x Power input 12 V 1 A
GPS	GPS Extended	1 x External GPS antenna	N/A
Function Keys		5 x Programmable function keys	N/A
Key Lock		Anti-theft key lock (key can be removed)	N/A
Power	Input Voltage	Supports 12/24 V vehicle power (9 ~ 32 V <sub>DC</sub> input range)	
Mechanical	Dimensions (W x D x H)	226 x 83.08 x 250.24 mm (8.9 x 3.27 x 9.9 in)	
	Weight	0.77 kg (1.70 lb)	
Environment	Operating Temperature	-10 ~ 50 °C (14 ~ 122 °F); 0 ~ 40 °C (32 ~ 104 °F) for charging	
	Storage Temperature	-30 ~ 80 °C (-22 ~ 176 °F)	
	IP Rating	IP54	
	Vibration/Shock	IEC60068-2-64 for vibration and IEC60068-2-27 for shock tolerance	
	Safety	UL, CB, LVD, CCC	
	Vehicle Power Regulation	E-Mark, ISO7637-2	
	Certifications	CE, FCC, CCC	

## Ordering Information

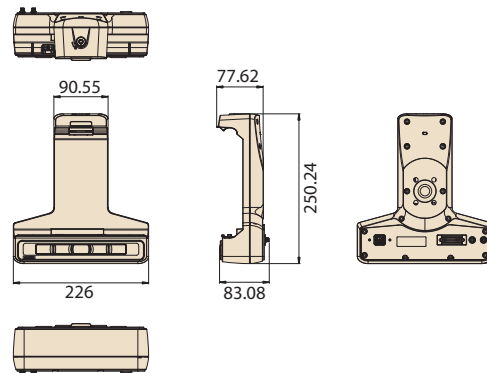
Part Number	Description
AIM-VED0-0422	AIM vehicle docking station (full configuration)
AIM-VED0-0423	AIM vehicle docking station (charging only)
1700026766-01	High-density cable
PWS-770-GPSAN00E	External GPS antenna
1700027666-01	Vehicle power cable (In-house engineer testing only)
1700027665-01	Vehicle power cable (vehicle battery)

## Packing List

Item	AIM-VED0-0422	AIM-VED0-0423
1	1 x Vehicle Dock (Fully I/O)	1 x Vehicle Dock (Charging Only)
2	1 x Vehicle power cable (vehicle battery)	1 x Vehicle power cable (vehicle battery)

## Dimensions

Unit: mm



# AIM-68 VESA Docking Station



## Features

- 9 ~ 32 V wide input voltage range
- VESA (75 x 75 mm)-compliant docking stations
- -10 ~ 50 °C (14 ~122 °F) operating temperature
- Reliable docking connector for office applications

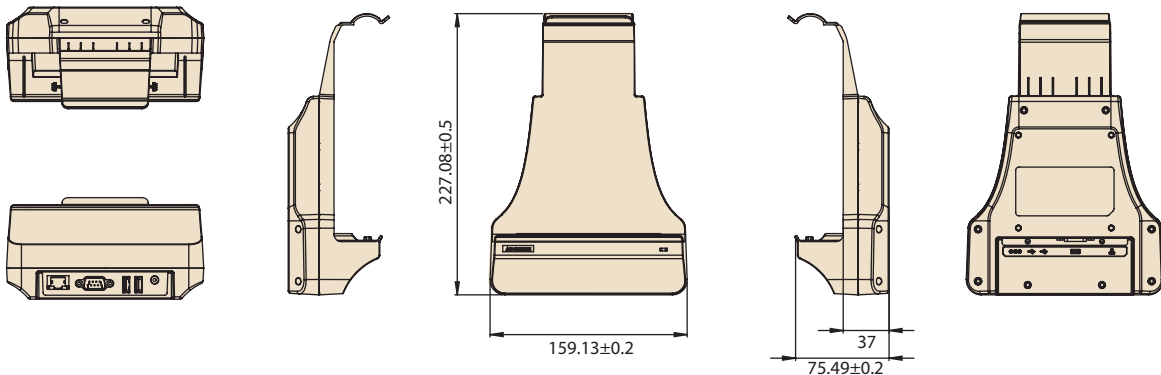
CE FCC

## Specifications

		Advanced VESA Docking Station	VESA Docking Station with USB
I/O		2 x USB 3.0 1 x RS-232 COM 1 x Gigabit LAN 1 x Power jack	2 x USB 2.0 1 x Power jack
Stand		N/A	N/A
Power	Input Voltage	9 ~ 32 V	9 ~ 32 V
Mechanical	Dimensions (W x D x H)	159.13 x 75.49 x 227 mm (6.3 x 2.9 x 8.9 in)	159.13 x 75.49 x 227 mm (6.3 x 2.9 x 8.9 in)
	Weight	0.33 kg (0.72 lb)	0.32 kg (0.71 lb)
Environment	Operating Temperature	-10 ~ 50 °C (14 ~122 °F); 0 ~ 40 °C (32 ~104 °F) for charging	-10 ~ 50 °C (14 ~122 °F); 0 ~ 40 °C (32 ~104 °F) for charging
	Storage Temperature	-20 ~ 70 °C (-4 ~ 158 °F)	-20 ~ 70 °C (-4 ~ 158 °F)
	Safety	UL, CB, LVD, CCC	UL, CB, LVD, CCC
	Certifications	CE, FCC, CCC	CE, FCC, CCC

## Dimensions

Unit: mm



## Ordering Information

Part Number	Description
AIM-VSD0-0470	AIM 10 advanced VESA docking station
AIM-VSD0-0471	AIM 10 VESA docking station with USB

## Packing List

Item	AIM-VSD0-0470	AIM-VSD0-0471
1	1 x VESA Dock(Advanced I/O)	1 x Vehicle Dock (Charging & USB Only)

Note: The packing list doesn't include adapter and power cord. Please order based on following PNs.

## Optional Accessories

Part Number	Description
AIM-ADP0-0424	ADP A/D 100-240V 65W 19V DC IN
1700001947	Power cord (USA) UL 2P 7A 125V 183 cm
1700001949	Power Cord(UK) BSI 2P 2.5A 250V 183cm
1700029278-01	Power Cord (Japan) PSE 2P 7A 125V 183cm
1700029279-01	Power Cord (NZ/AU) SAA 2P 2.5A 250V 183 cm
1700008972	Power cord (China)CCC 2P 2.5A 250 V 183 cm
1700001948-11	Power cord (EU) EU 2P 2.5A 250 V 183 cm
1700021662-01	Power Cord (TW) BSMI 2P 2.5A 125V 183cm

# AIM-68 Desk Docking Station



## Features

- 10 ~ 50 °C (14 ~122 °F) operating temperature
- Reliable docking connector for office applications

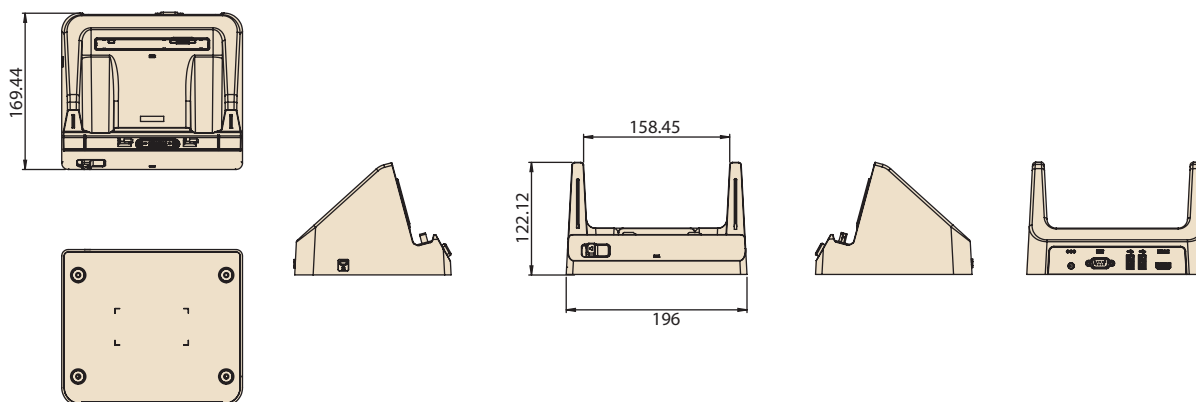
CE FCC CCC

## Specifications

		Advanced Desk Docking Station	Desk Docking Station with USB
I/O		2 x USB 2.0 1 x RS-232 COM 1 x Power jack 1 x HDMI 1 x Battery charging bay	2 x USB 2.0 1 x Power jack
	Power	Input Voltage 19 V	19 V
Mechanical	Dimensions (W x D x H)	196 x 169.44 x 122.12 mm (7.72 x 6.67 x 4.81 in)	196 x 169.44 x 122.12 mm (7.72 x 6.67 x 4.81 in)
	Weight	0.76 kg (1.68 lb)	0.75 kg (1.65 lb)
Environment	Operating Temperature	-10 ~ 50 °C (14 ~122 °F); 0 ~ 40 °C (32 ~104 °F) for charging	-10 ~ 50 °C (14 ~122 °F); 0 ~ 40 °C (32 ~104 °F) for charging
	Storage Temperature	-20 ~ 70 °C (-4 ~ 158 °F)	-20 ~ 70 °C (-4 ~ 158 °F)
	Safety	CE, FCC, CCC	UL, CB, LVD, CCC
	Certifications	UL, CB, LVD, CCC	CE, FCC, CCC

## Dimensions

Unit: mm



## Ordering Information

Part Number	Description
AIM-OFD0-0480	AIM 10 advanced desk dock station
AIM-OFD0-0481	AIM 10 desk dock station with USB

## Packing List

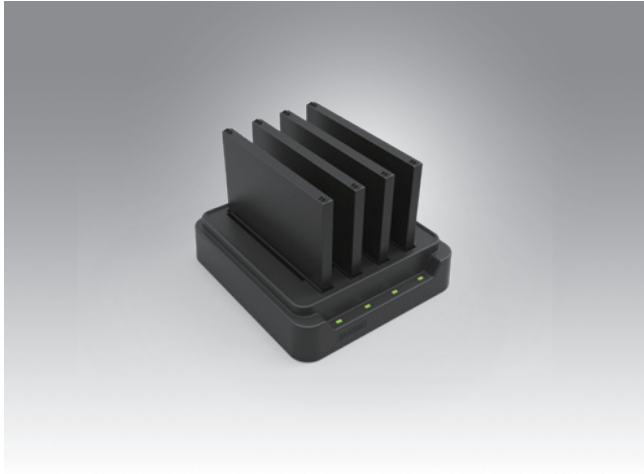
Item	AIM-OFD0-0480	AIM-OFD0-0481
1	1 x Office Dock(Advanced I/O)	1 x Office Dock (Charging & USB Only)

Note: The packing list doesn't Include adapter and power cord. Please order based on following PNs.

## Optional Accessories

Part Number	Description
AIM-ADP0-0424	ADP A/D 100-240V 65W 19V DC IN
1700001947	Power cord (USA) UL 2P 7A 125 V 183 cm
1700001949	Power Cord(UK) BSI 2P 2.5A 250V 183cm
1700029278-01	Power Cord (Japan) PSE 2P 7A 125V 183cm
1700029279-01	Power Cord (NZ/AU) SAA 2P 2.5A 250V 183 cm
1700008972	Power cord (China)CCC 2P 2.5A 250 V 183 cm
1700001948-11	Power cord (EU) EU 2P 2.5A 250 V 183 cm
1700021662-01	Power Cord (TW) BSMI 2P 2.5A 125V 183cm

# AIM Multi-Battery Charging Station



## Features

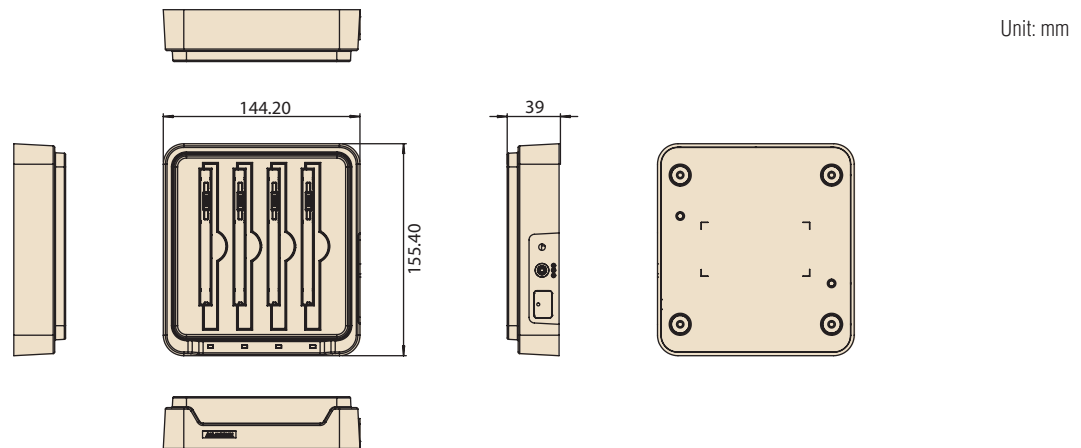
- Supports charging of up to 4 batteries simultaneously
- Overcurrent and overvoltage protection provided
- LED indicators for monitoring charging status



## Specifications

		Multi-Battery Charging Station for AIM
Capacity	Number of Bays	4
	Charging Current	1 A
Power	Charging Voltage	12.6 V
	Input Voltage	19 V
LED Indicators		Green: Full Amber: Charging Red: Error
Mechanical	Dimensions (W x D x H)	144 x 155 x 39 mm (5.7 x 6.1 x 1.5 in)
	Weight	0.48 kg (1.05 lb)
Environment	Operating Temperature	0 ~ 40 °C (32 ~ 104 °F)
	Storage Temperature	-10 ~ 50 °C (14 ~ 122 °F)
	Safety Certifications	UL, CB, LVD, CCC, RCM CE, FCC, CCC, RCM, BSMI

## Dimensions



## Ordering Information

Part Number	Description
AIM-MBC0-0051	Multi-battery charging station for AIM

## Packing List

Item	AIM-MBC0-0051
1	1 x Multi Battery Charger
2	1 x AC/DC adaptor

Note: The packing list doesn't include power cord. Please order based on following PNs.

## Optional Accessories

Part Number	Description
96PSA-A65W19V1-3	ADP A/D 100-240V 65W 19V C6 DC PLUG 180° 62368
1700001524	Power cord (USA) UL 3P 10A 125V 183 cm
1700008921	Power cord (Japan) PSE 3P 7A 125V 183 cm
1700019146	Power cord (China) CCC 3P 10A 250V 183 cm
1700018553	Power cord (NZ/AU) SAA 3P 10A 250V 183 cm
170203180A	Power cord (UK) BSI 3P 10A 250V 183 cm
170203183C	Power cord (EU) 3P 2.5A 250V 183 cm

# AIM-68 Extensions and Accessories

## Extension Modules

**Barcode Scanner (20°)**



**Barcode Scanner (70°)**



**MSR + barcode scanner module**



**LAN + COM module**



Part Number	AIM-EXT0-0040	AIM-EXT0-0041	AIM-P521A0	AIM-EXT0-0046
<b>Features</b>	<ul style="list-style-type: none"> <li>Sensor: 640 x 480 CMOS sensor</li> <li>Illumination &amp; Aiming: White LED illuminator/Red LED dot aimer</li> <li>Frame rate: 30 fps</li> <li>Field of view: Horizontal: 37.8°; Vertical: 28.8°</li> </ul>	<ul style="list-style-type: none"> <li>Sensor: 640 x 480 CMOS sensor</li> <li>Illumination &amp; Aiming: White LED illuminator/Red LED dot aimer</li> <li>Frame rate: 30 fps</li> <li>Field of view: Horizontal: 37.8°; Vertical: 28.8°</li> </ul>	<p>MSR</p> <ul style="list-style-type: none"> <li>Swipe Speed: 3-75 inch/sec</li> <li>Support Format: ISO7811/ JIS II</li> <li>Bi-Direction Swipe</li> </ul> <p>Barcode Scanner</p> <ul style="list-style-type: none"> <li>Sensor: 640 x 480 CMOS sensor</li> <li>Illumination &amp; Aiming: White LED illuminator/Red LED dot aimer</li> <li>Frame rate: 30 fps</li> <li>Field of view: Horizontal: 37.8°; Vertical: 28.8°</li> </ul>	<ul style="list-style-type: none"> <li>1 x 10/100 Ethernet port</li> <li>1 x COM port</li> </ul>
<b>Dimensions</b>	130.2 x 38.7 x 27.8 mm (5.12 x 1.52 x 1.09 in)	130.2 x 38.7 x 32 mm (5.12 x 1.52 x 1.25 in)	130.2 x 68.84 x 80 mm (5.12 x 2.71 x 3.15 in)	130.2 x 70 x 29 mm (5.12 x 2.75 x 1.14 in)
<b>Weight</b>	0.042 kg (0.092 lb)	0.042 kg (0.092 lb)	100g (0.22lb)	0.078 kg (0.171 lb)

**UHF RFID Reader**



**UHF RFID Reader**



**UHF RFID Reader (Flat type)**



Part Number	AIM-EXT0-0047	AIM-EXT0-0049	AIM-EXT0-0050
<b>Features</b>	<ul style="list-style-type: none"> <li>RFID output power: 25 watt</li> <li>RFID antenna type: Linear polarization</li> <li>Frequency: EU: 867 ~ 869MHz; US: 913 ~ 917 MHz</li> <li>Tag standard supported: EPC Class 2 Gen. 2/ ISO 18000-6C</li> </ul>	<ul style="list-style-type: none"> <li>RFID output power: 25 watt</li> <li>RFID antenna type: Linear polarization</li> <li>Frequency: EU: 867 ~ 869MHz; US: 913 ~ 917 MHz</li> <li>Tag standard supported: EPC Class 2 Gen. 2/ ISO 18000-6C</li> </ul>	<ul style="list-style-type: none"> <li>RFID output power: 25 watt</li> <li>RFID antenna type: Linear polarization</li> <li>Frequency: 867 ~ 869MHz; Tag standard supported: EPC Class 2 Gen. 2/ ISO 18000-6C</li> </ul>
<b>Dimensions</b>	130.20 x 63.80 x 79.40 mm (5.12 x 2.5 x 3.13 in)	130.20 x 63.80 x 79.40 mm (5.12 x 2.5 x 3.13 in)	130.2 x 110.75 x 82.51mm (5.12 x 4.35 x 3.25 in)
<b>Weight</b>	0.08 kg (0.176 lb)	0.08 kg (0.176 lb)	160g (0.352lb)



## AIM-68 Extensions and Accessories

### Accessories



Part Number	AIM-SRP0-0000	AIM-SRP0-0001	AIM-SRP0-0002	AIM-SRP0-0004
<b>Features</b>	Black With one stylus holder	Black With one stylus holder	Black With one stylus holder	Black 360° rotatable
<b>Dimensions</b>	240 x 20 mm (9.44 x 0.78 in)	380 x 135 x 20 mm (14.96 x 5.31 x 0.78 in)	1820 x 20 mm (71.65 x 0.78 in)	160 x 160 mm (6.3 x 6.3 in)
<b>Weight</b>	0.022 kg (0.048 lb)	0.05 kg (0.11 lb)	0.05 kg (0.11 lb)	158g (0.35lb)

### Battery with Meter



### Active Stylus



### AG+AR Screen Protective Film



Part Number	AIM-BAT0-0452	AIM-P704	AIM-EXT0-0480
<b>Features</b>	Black	Black	Hardness: 2-3H Reflection Rate: 0.15% Haze: 15% AG/AR Film For sunlight readable
<b>Dimensions</b>	120 x 87 x 7.5 mm (4.72 x 3.43 x 0.30 in)	140 x 9.7 mm (5.51 x 0.38 in)	249 x 165 X 0.150 mm (9.80 x 6.50 x 0.006 in)
<b>Weight</b>	0.147 kg (0.324 lb)	0.02 kg (0.044 lb)	0.014 kg (0.03 lb)